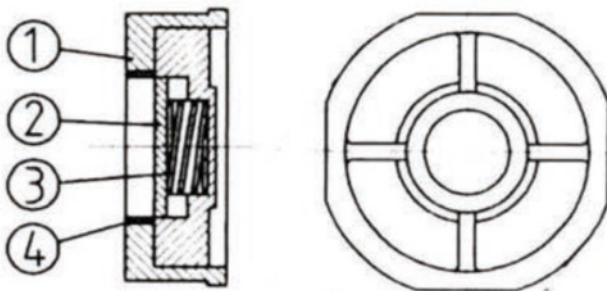


SPWCVS

- I 316 Stainless Steel
- I 1000PSI (69 Bar) WOG
- I Watermarked certified
- I ANSI150
- I 1/2" - 4"

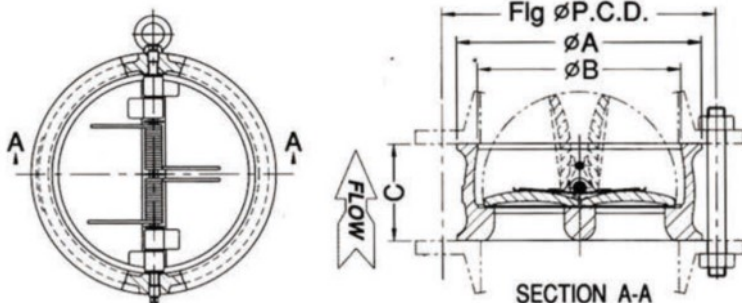


DIMENSIONS

DN40	1-11/2"	88	94	32
DN50	2"	98	107	40
DN60	2-21/2"	118	126	46
DN80	3"	134	144	50
DN100	4"	154	162	60

SPDCV

- I 316 Stainless Steel
- I 150 lb pressure rating
- I ANSI150
- I 2" - 8"



Size	Pressure Rating	A	B	C	Dia of Bolt Circle	Weight Kg
2"	150lb	4.12"	2.36"	2.37"	4.75"	2.5
2 1/2"	150lb	4.87"	2.87"	2.62"	5.5"	3
3"	150lb	5.37"	3.5"	2.87"	6"	4.5
4"	150lb	6.87"	4.49"	2.87"	7.5"	8
6"	150lb	8.75"	6.61"	3.87"	9.5"	13
8"	150lb	11"	8.62"	5"	11.75"	28